



Sullivan
Palatek

D210PHDZ-260PDZ

TIER 4 FINAL \ DEUTZ ENGINE \ PORTABLE COMPRESSOR



210CFM/100-150PSI 260CFM/100PSI



SPECIFICATIONS

210 CFM

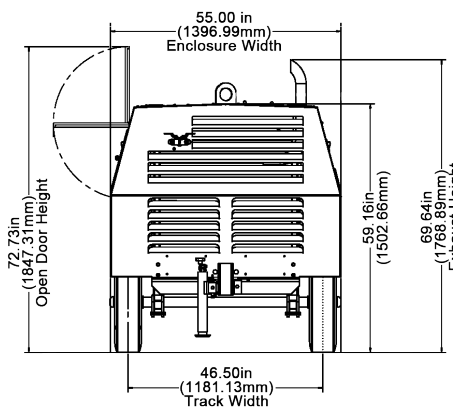
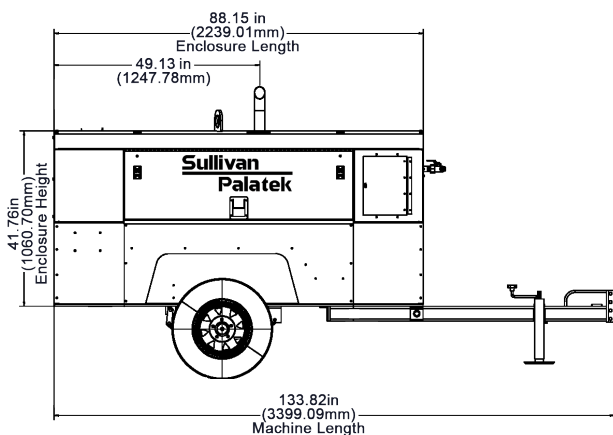
Model	D210PHDZ
Rated Delivery	210 CFM (5.9 m ³ /min)
Rated Operating Pressure	100/150 psig (6.9/10.3 Bar)
Operating Pressure Range	70-165 psig (4.8 - 11.3 Bar)
Estimated Weight, Serviced	2,385 lbs
Dimensions L x W x H (in")	134" x 55" x 70"

260 CFM

Model	D260PDZ
Rated Delivery	260 CFM (7.4 m ³ /min)
Rated Operating Pressure	100 psig (6.9 Bar)
Operating Pressure Range	70-125 psig (4.8 - 8.6 Bar)
Estimated Weight, Serviced	2,500 lbs
Dimensions L x W x H (in")	134" x 55" x 70"

Engine

Type	Diesel
Make & Model	DEUTZ TD2.9L4 Tier 4 Final (Turbo)
Idle Speed	1750 RPM
Fuel Tank Capacity	29 gal (109.8 L)
Horsepower @ rated RPM	74 hp
Full Load Speed	2500 RPM



FEATURES

- » 108mm - 127mm Diameter Twin Screw Air End
- » Exclusive Three Year Warranty On Air End
- » Automatic 0 to 100% Capacity Control
- » Two Stage Dry Type Air Filter with Safety Elements - External Access
- » Multiple Service Connections
- » Oil Level Sight Gauge
- » Side by Side Coolers for Compressor and Engine
- » DEUTZ TD2.9L4 Tier 4
- » Steel Fuel Tank
- » Cooler Access Panel for Cleaning
- » Safety Chains
- » 15" Wheels & Radial Tires
- » Choice of Lunnette Eye or Ball Hitch on Height Adjustable Drawbar
- » Large Tool Boxes in Each Side with Lockable Handles
- » Galvanneal Enclosure
- » Galvanized Wheel Wells and Internal Panels
- » Easily Removable Upper Enclosure
- » Automatic Shutdown and Protection System
- » Automatic Blowdown Valve
- » Stop, Turn and Tail Lights
- » Unloaded Starting
- » High-Low Selector Switch (210PH)

CONTROLLER

Sullivan-Palatek Electronic Controller (SPEC)

Digital Readouts:

- » Compressor temperature
- » Discharge pressure
- » Engine oil pressure
- » Engine temperature
- » Voltmeter
- » Tachometer
- » Fuel level - low fuel warning and shutdown
- » Complete engine diagnostic tool
- » Unit converter
- » Multilingual capabilities
- » Waterproof up to six feet

Sullivan-Palatek, Inc.

1201 West US Highway 20
Michigan City, IN 46360

219.874.2497 sullivan-palatek.com info@palatek.com