



D90PKU

1 TOOL MACHINE \ KUBOTA ENGINE \ PORTABLE COMPRESSOR



90CFM/100PSI



SPECIFICATIONS

Compressor

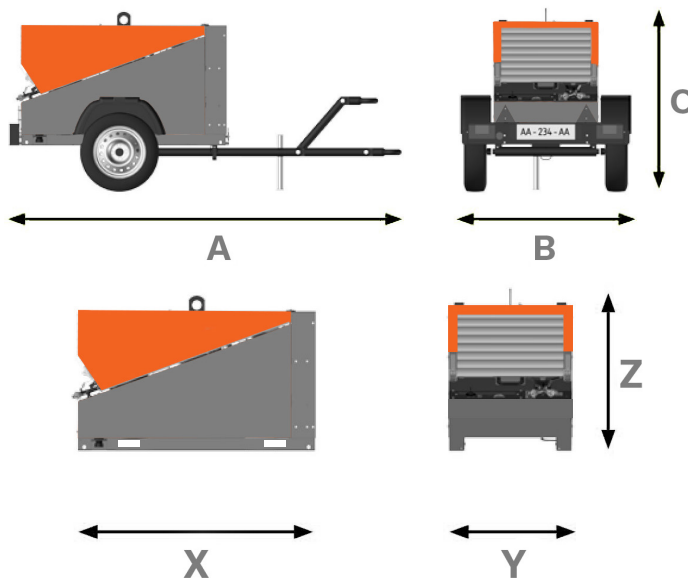
Model	D90PKU
Free Air Delivery	90 CFM (2.5 m3/min)
Working Pressure	100 psi (6.9 bar)
Max Sound Power Level	74 dBA
Qty of Air Filters	1
Oil Capacity - Compressor	2 Gal (7.5 L)
Air Service Connections	One 3/4" fnpt

Engine

Type	Diesel
Make	Kubota
Model	Kubota D1105 Tier 4 Final
Number of Cylinders	3
Power	24.3hp (18.1 kW)
Fuel Tank Capacity	6.5 Gal (24 L)

Dimensions

Weight Axle-Mounted/Utility	1,256/1,058 lbs (570/480 kg)
Maximum Length (A/X)	113.7/59.6 in (2,888/1,514 mm)
Width (B/Y)	46.7/30 in (1,185/750 mm)
Height (C/Z)	52/38.5 in (1,320/980 mm)



FEATURES

- » Hinged canopy with gas springs for service access
- » Torsion bar suspension for stable towing
- » 14" wheels
- » Fully adjustable height draw bar
- » Choice of lunnette eye or 2" ball hitch
- » Full shift fuel tank
- » Lifting eye, center mounted for machine pick-up
- » Service valve on control end
- » Automatic shutdowns
- » Stop turn tail lights
- » Automatic 0 to 100% compressor control
- » Automatic blowdown valve
- » Easily runs 90 lb breaker
- » Dual slidelock canopy latches (padlockable)
- » Remote fluid drains
- » Fork pockets standard for Utility units

Ergonomics

- » Lightweight for towing with smaller vehicles
- » Easy access to control and service components
- » Transparent fuel tank for level control
- » Uncouple gas spring hinges allow canopy to open 180 degrees
- » Protected exhaust system, front, opposite controls

Instrument Panel

- » Simple to use
- » Keyed ignition, ON/OFF, glow plug and start
- » Start/Run valve for easy starting and warm up
- » Warning lights, alternator and glow plug operation
- » Air pressure gauge

Savings

- » Progressive airflow regulation
- » Removable hinged steel hood
- » Compact size allowing for smaller footprint and lower shipment costs

Sullivan-Palatek, Inc.

1201 West US Highway 20
Michigan City, IN 46360

219.874.2497

sullivan-palatek.com

info@palatek.com