



Sullivan
Palatek

C-SERIES, C-5\7.5\10

5-10 HP \ INDUSTRIAL ELECTRIC COMPRESSORS



C-5, 5 HP \ C-7.5, 7.5 HP \ C-10, 10 HP

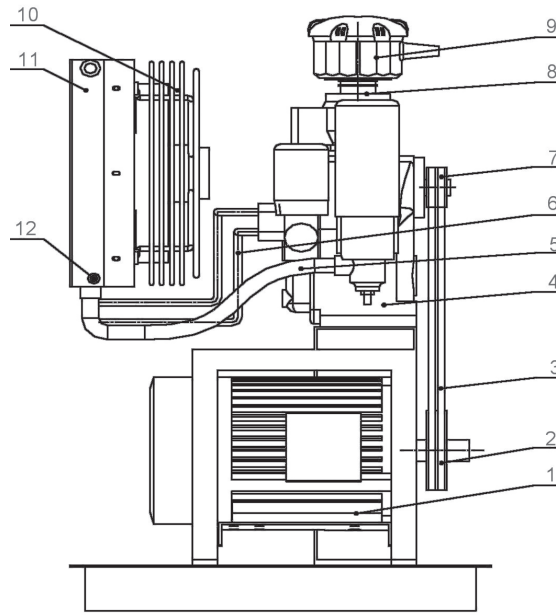
Dependable by design.™

SPECIFICATIONS

| Model | | C-5 | C-7.5 | C-10 |
|--------------------|------------------|-----------|-----------|-----------|
| Capacity @ 125 PSI | cfm | 20 | 28 | 39 |
| Motor | hp (kW) | 5 (3.7) | 7.5 (5.6) | 10 (7.5) |
| Motor Speed | rpm | 3510 | 3510 | 3510 |
| Sump Capacity | gallons (liters) | .5 (1.89) | .5 (1.89) | .5 (1.89) |
| Discharge NPT | inches | 1/2 inch | 1/2 inch | 1/2 inch |
| Length | inches (mm) | 25 (635) | 25 (635) | 25 (635) |
| Width | inches (mm) | 25 (635) | 25 (635) | 25 (635) |
| Height | inches (mm) | 45 (1143) | 45 (1143) | 45 (1143) |
| Weight | pounds (kg) | 465 (211) | 465 (211) | 465 (211) |

*100 psi and 145 psi also available

| Number | Description |
|--------|-----------------------|
| 1 | Motor |
| 2 | Motor Sheave |
| 3 | V-Belts |
| 4 | Encapsulated Air End |
| 5 | Discharge Hose |
| 6 | Oil Hose |
| 7 | Compressor Sheave |
| 8 | Intake Valve Assembly |
| 9 | Air Filter Assembly |
| 10 | Fan with Motor |
| 11 | Oil and Air Cooler |
| 12 | Pressure Sensor |



» C-10 shown above



» C-10 Shown with optional tank mount configuration

FEATURES

- » Energy efficient
- » Quiet - 68dba
- » TEFC motor
- » 208/230/460/ 3/60
- » 230/1/60
- » Microprocessor control
- » Multi point measuring and protection of pressure and temperature
- » RS-485 communication interface function
- » Seven function maintenance schedule/ monitoring
- » Full function electrical control for motor protection
 - » Motor overload relay
 - » Phase protection



Displays:

- » Run time
- » Load time
- » Oil filter change time
- » Separator change time
- » Oil change time
- » High temperature alarm
- » Overload alarm
- » RS 485 Communication

Sullivan-Palatek, Inc.

1201 West US Highway 20
Michigan City, IN 46360

219.874.2497

sullivan-palatek.com

info@palatek.com