



Sullivan
Palatek

D210UHJD4PTOW

TIER 4 FINAL \ JOHN DEERE ENGINE \ UTILITY MOUNT COMPRESSOR



210CFM/100PSI & 150PSI

Dependable by design.™

SPECIFICATIONS

Compressor

Model	D210UHJD4PTOW
Rated Delivery	210 CFM (5.9 m ³ /min)
Rated Operating Pressure	100 psig (6.9 bar) & 150 psig (10.4 Bar)
Operating Pressure Range	70-165 psig (4.9 - 11.3 Bar)
Estimated Weight, Serviced	2,550 lbs (1,157 kg)
Dimensions L x W x H (in")	80" x 35" x 57.31"

Engine

Type	Diesel
Make & Model	John Deere 4045TFC03A Tier 4 Final
Idle Speed	1600 RPM
Fuel Tank Capacity	25 gal (94.6 L)
Horsepower @ rated RPM	74 hp (55.5 kW)
Full Load Speed	2500 RPM

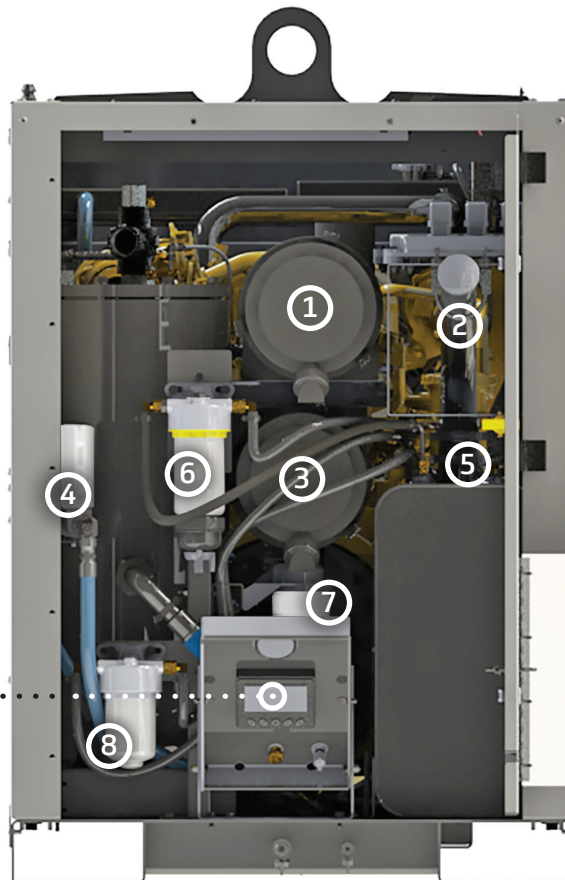
FEATURES

1. Engine Air Filter
2. Curbside Fuel Fill
3. Compressor Air Filter
4. Compressor Oil Filter
5. Extended Dipstick
6. Fuel/Water Separator
7. Engine Oil Filter
8. Primary Fuel Filter



SPEC CONTROLLER

- » Digital readouts
- » Complete engine diagnostic tool
- » Measurement converter
- » Multilingual capabilities
- » Waterproof up to six feet



FEATURES

- » Utility Mount Air Compressor
- » Curbside Controls
- » Large, 108mm Diameter Twin Screw Air End
- » Exclusive Three Year Air End Warranty
- » Automatic 0 to 100% Capacity Control
- » Two Stage Dry Type Air Filter - External Access
- » High-Low Selector Switch (PTO must be used in low pressure)
- » Two 3/4" Service Connections
- » Oil Level Sight Gauge
- » John Deere Engine
- » Galvanneal Enclosure
- » Steel Fuel Tank
- » Side by Side Coolers for Compressor and Engine
- » Compact Size for Truck Mounting
- » Curbside Fuel Fill & Air Filter Access
- » Noise Level Limited to Maximum of 76 dBA at 7 Meters
- » All Drains End Mounted
- » Automatic Shutdown and Protection System
- » Automatic Blowdown Valve
- » Unloaded Starting
- » A Flange PTO (100 psi)

CONTROLLER

- » **Sullivan-Palatek Electronic Controller (SPEC)**
- » Digital Readouts:
 - » Compressor temperature
 - » Discharge Pressure
 - » Engine oil pressure
 - » Engine temperature
 - » Voltmeter
 - » Tachometer
 - » Fuel level - low fuel warning and shutdown
 - » Complete engine diagnostic tool
 - » Unit converter
 - » Multilingual capabilities
 - » Waterproof up to six feet

Sullivan-Palatek, Inc.

1201 West US Highway 20
Michigan City, IN 46360

219.874.2497

sullivan-palatek.com

info@palatek.com